

Eternity IV Installation Instruction

Step 1. Install the latch

- Insert the latch into 1" hole on edge of the door.
- Secure the latch in place with two screws.

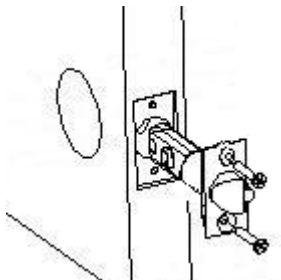


Fig. 1

Step 2. Install outside lock housing

- Place the outside gasket (if required) on back of the outside lock housing prior to the assembly; align the gasket along the edge of the lock housing.
- Insert the square spindle into the center hub and turn the spindle until it locks. Ensure that the **Dot on center hub is point to left**.

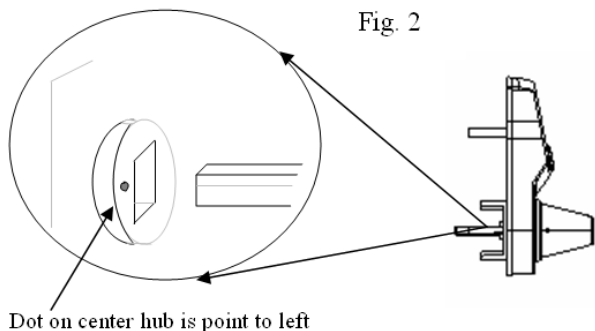


Fig. 2

- Place the outside lock housing against the door, feed the power plug through the 2 1/8" door hole.

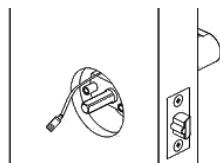


Fig. 3

Step 3. Install inside mounting plate

- Place the inside gasket (if required) on the mounting plate, and align the inside gasket with the position hole.
- Feed the power plug through the small hole on the mounting plate.
- Place the mounting plate against the door, and secure the mounting plate attach to outside lock housing with three screws.



Fig. 4

Step 4. Install inside lock housing

- Plug the power cable into the inside lock housing.
- Place inside lock housing on top of the mounting plate,
- Ensure the square spindle into inside lever hub. Secure the inside lock housing with two screws.

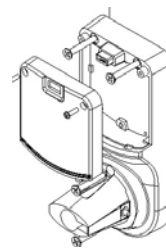


Fig. 5

Step 5. Install inside lever door handle.



Fig. 6

Step 6. Install outside lever door handle

- Ensure override shaft inside the cylinder housing is in vertical position (use flat screw driver to adjust the position when needed)

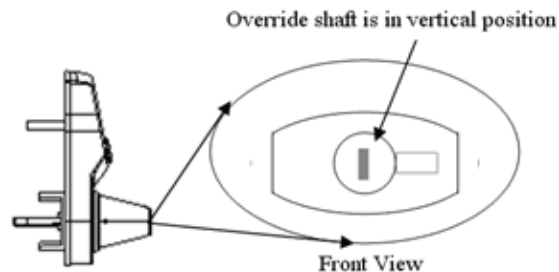


Fig. 7

- Place the key cylinder into the outside lever door handle, insert the manual key to the cylinder and turn clockwise 90 degrees.
- Guide the cylinder into the cylinder housing and snap the lever door handle into the lever catch pin
- Turn the manual key counter clockwise 90 degree and pull the key out

Step 7. Install Strike plate

- Inset the dust boot into the doorframe.
- Place the strike plate over the dust boot.
- Secure the plate in place with two screws.

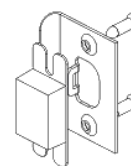
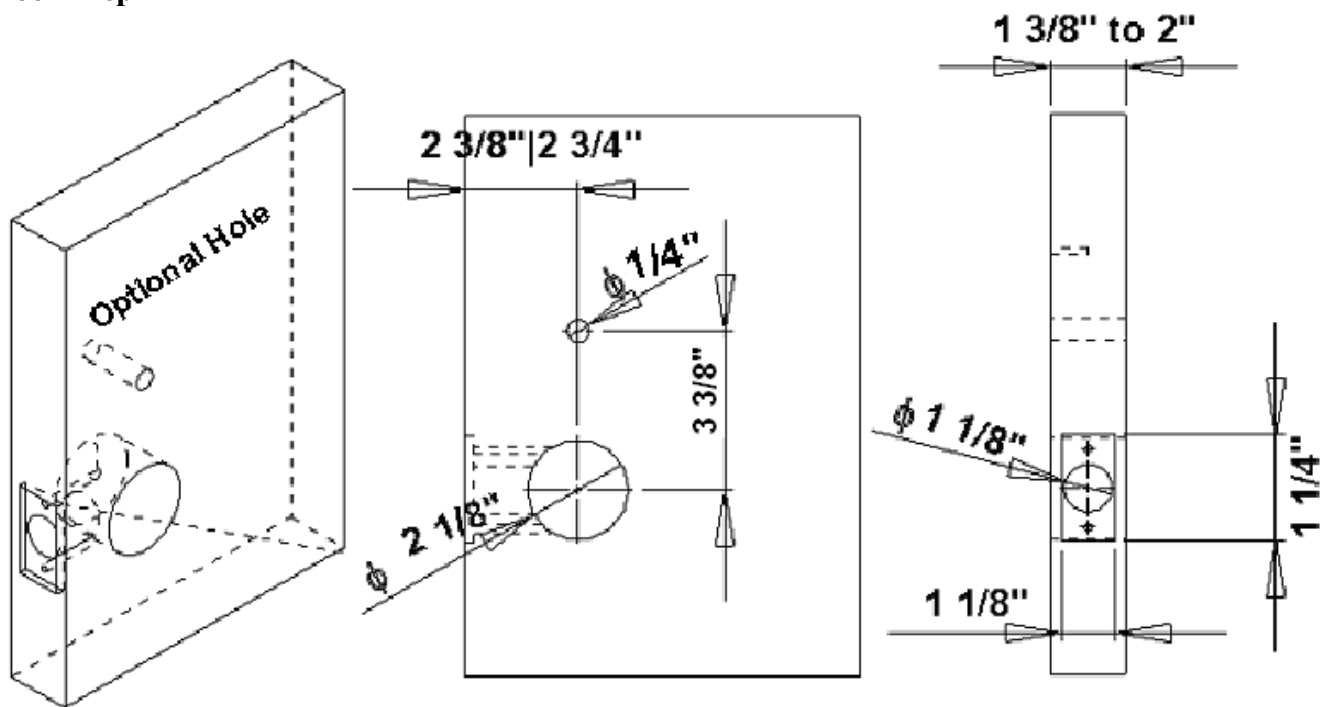
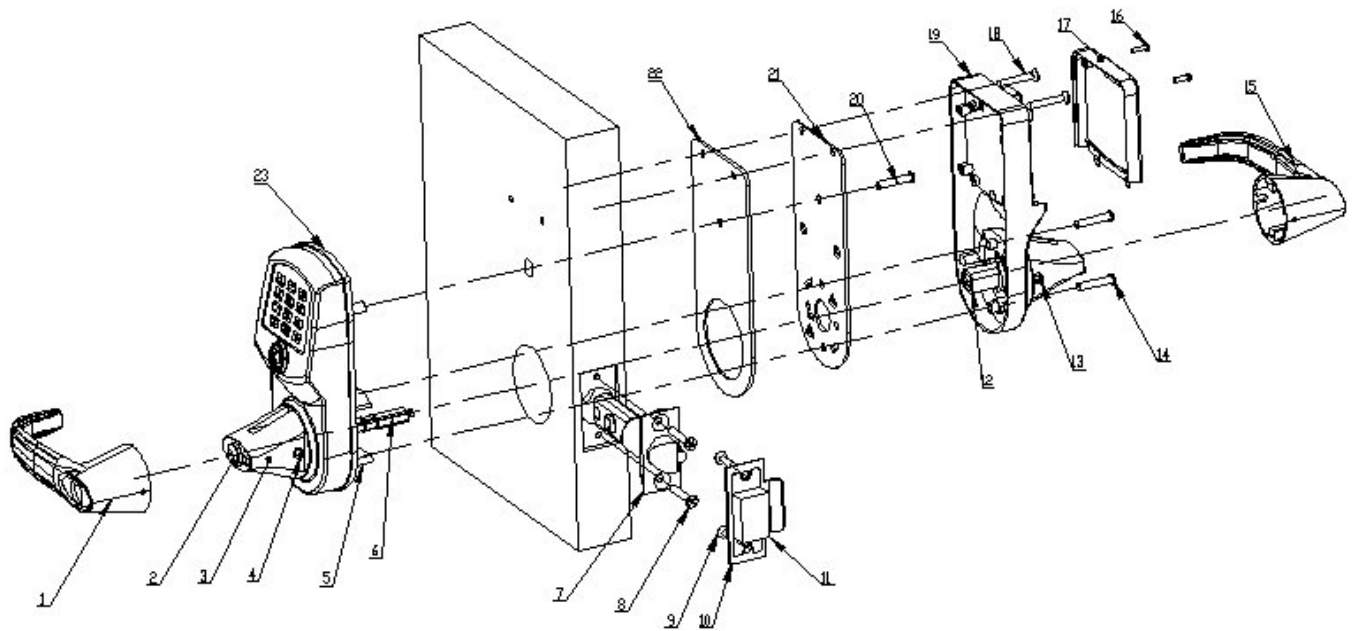


Fig. 8

Door Prep



Exploded View



Parts List

1	Outside Lever	13	Inside Catch Pin
2	Override Cylinder	14	Mounting Screws
3	Front Lever Shaft	15	Inside Lever
4	Outside Catch Pin	16	Battery Lid screws
5	Outside Lock Housing	17	Battery Lid
6	Spindle	18	Mounting Screws
7	Latch	19	Inside Lock Housing
8	Latch Screws	20	Mounting plate screw
9	Strike Plate Screws	21	Mounting Plate
10	Strike Plate	22	Inside Gasket
11	Dust Boot	23	Outside Gasket
12	Mounting Plate Screws		