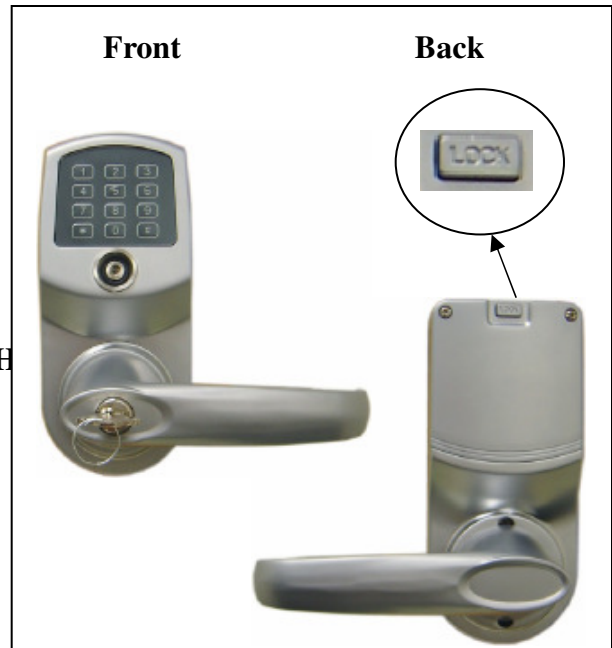


PARAMETER	DETAIL
Lock Weight	6 Lb
Working Current	150 mA
Idle Current	15 $\mu$ A
Lock Back Time	5 (1 – 25) Seconds
Working Voltage	4.8-6.4V
Low Battery Warning	4.8V or lower
Power Source	4 AA Alkaline Batteries
Keypad	Weather Resistant Membrane
Handle	Reversible Lever
Door Thickness	1 3/8" to 2"
Keyway	SC4 6Pin
Lock Dimension	Front 6.75"(H)x3"(W)x2.75"(L) Back 6.75"(H)x3"(W)x2.75"(L)
Package Weight	6 Lbs
Package Size	10 x 8 x 4 1/2 "
CTN Weight (4)	24 Lbs
CTN Size	10 1/2 x10 1/2 x 16 1/2 "



## Functions

DESCRIPTION	SOFTWARE	NON-SOFTWARE
Audit Trail	Yes 3200 entries	N/A
iButton Key Users	299 (Combine iButton and code)	299 (Combine iButton and code)
Pass Code Users	See above	See above
Timed Operations	Yes	Yes
Auto Lock/Auto Unlock	Different schedule hour, daily or weekly	Same hours on consecutive days
Auto Changing Mode	Changing daily or weekly	N/A
Time Shift User	Changing hourly, daily or weekly	Changing weekly or monthly
Remote Access	Yes (Resort Software)	No
Storehouse/Classroom Mode	Yes	Yes
One Time User	Yes (10)	Yes (10)
One-Touch Lock from Inside	Yes	Yes
Daylight Saving	Yes	Yes
Lock Out Function	Yes	Yes
User Key Assignment Method	PC software + iButton programming key	Keypad
Software Package	Yes - V3.7 PC software or Resort software	N/A

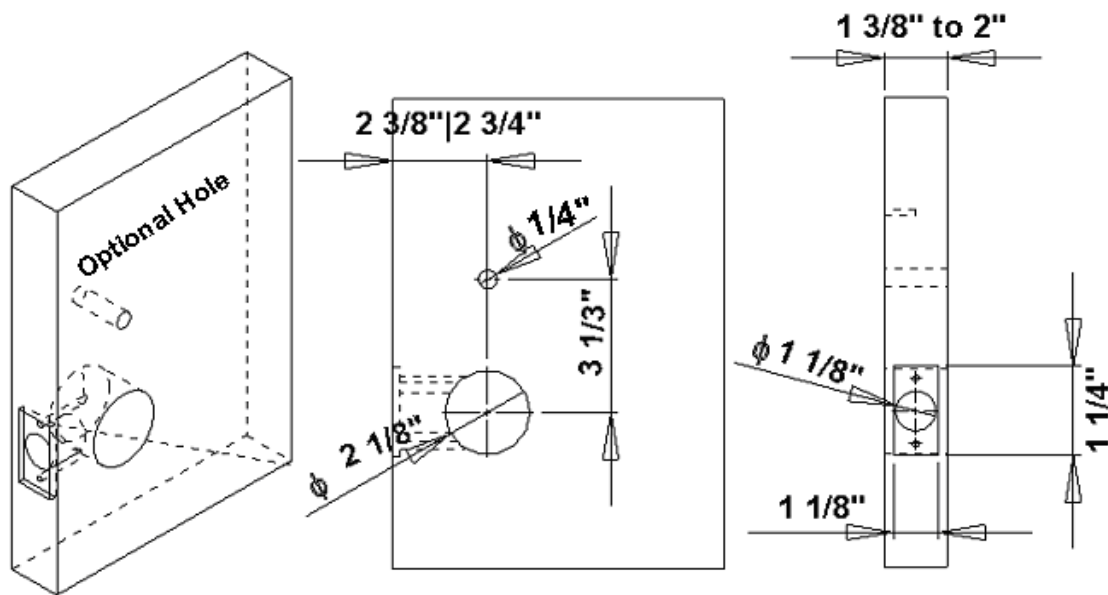
## Ordering Information

<b>PART</b>	<b>DESCRIPTION</b>
E4TKSC01	E-IV TM + Keypad Satin Chrome Lockset SW Version
E4TKSC02	E-IV TM + Keypad Satin Chrome Lockset No SW Version
ECYLSC6M	Eternity Schlage C 6-Pin Master Key Cylinder
<b>ACCESSORIES</b>	<b>DESCRIPTION</b>
D1977	DS1977 Programming Key
D1904	DS1904 Internal Clock Key
D1990A	DS1990 iButton User Key
UIBPCR	iButton Reader (iButton PC Receptor)
USBPCA	USB PC Adapter
ESWCD	Eternity Lock Management Software CD

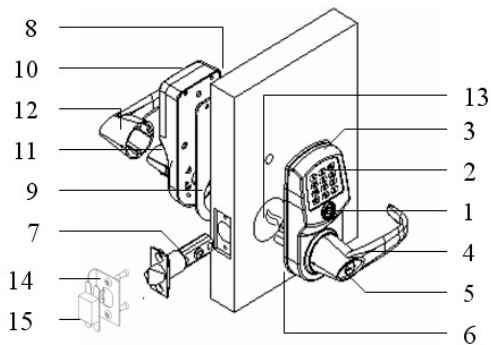
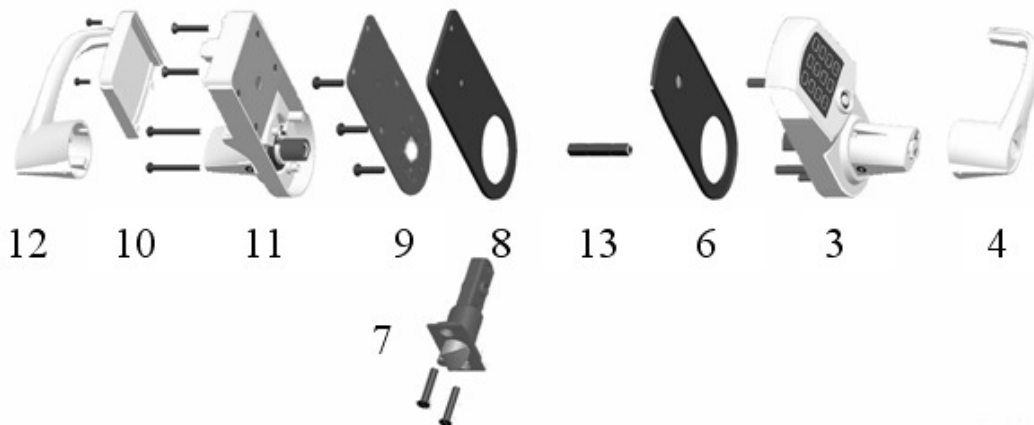
### Packlist:

1. Front Handle
2. Back Handle
3. Front Lock
4. Back Lock
5. Accessory Box
  - Latch
  - Cylinder
  - Screws

## Door Prep



## Parts List



1	iButton Reader	9	Inside Mounting Plate
2	Keypad	10	Batteries Housing Cover
3	Outside Lock Housing	11	Inside Lock Housing
4	Outside Lever	12	Inside lever
5	Override Cylinder	13	Spindle
6	Outside Gasket	14	Strike Plate
7	Latch	15	Dust Boot
8	Inside Gasket		

## Eternity IV Installation Instruction

### Step 1. Install the latch

- Insert the latch into 1" hole on edge of the door.
- Secure the latch in place with two screws.

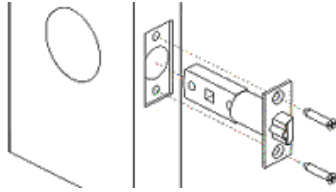


Fig. 1

### Step 2. Install outside lock housing

- Place the outside gasket (if required) on back of the outside lock housing prior to the assembly; align the gasket along the edge of the lock housing.
- Insert the square spindle into the center hub and turn the spindle until it locks. Ensure that the **Dot on center hub is point to left**.

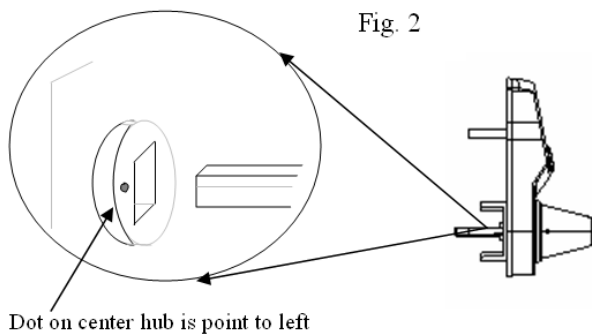


Fig. 2

Dot on center hub is point to left

- Place the outside lock housing against the door, feed the power plug through the 2 1/8" door hole.

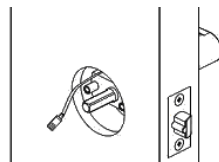


Fig. 3

### Step 3. Install inside mounting plate

- Place the inside gasket (if required) on the mounting plate, and align the inside gasket with the position hole.
- Feed the power plug through the small hole on the mounting plate.
- Place the mounting plate against the door, and secure the mounting plate attach to outside lock housing with three screws.



Fig. 4

### Step 4. Install inside lock housing

- Plug the power cable into the inside lock housing.
- Place inside lock housing on top of the mounting plate,
- Ensure the square spindle into inside lever hub. Secure the inside lock housing with two screws.

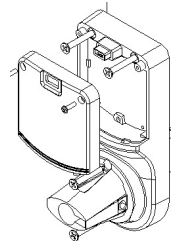


Fig. 5

### Step 5. Install inside lever door handle.

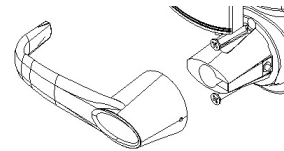


Fig. 6

### Step 6. Install outside lever door handle

- Ensure override shaft inside the cylinder housing is in vertical position (use flat screw driver to adjust the position when needed)

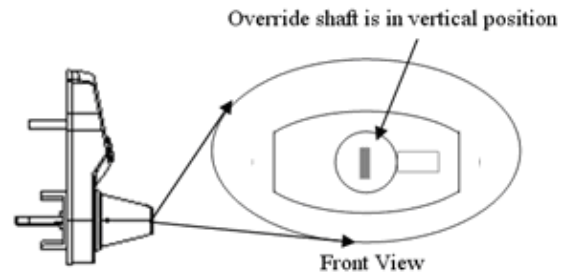


Fig. 7

- Place the key cylinder into the outside lever door handle, insert the manual key to the cylinder and turn clockwise 90 degrees.
- Guide the cylinder into the cylinder housing and snap the lever door handle into the lever catch pin
- Turn the manual key counter clockwise 90 degree and pull the key out

### Step 7. Install Strike plate

- Inset the dust boot into the doorframe.
- Place the strike plate over the dust boot.
- Secure the plate in place with two screws.

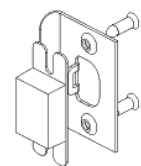


Fig. 8