

# Eternity-EDC700 Series Door Controller

## SPECIFICATIONS

Power Supply: 12V, 3A

Main Relay: 12V, 5A

Operating Temp: -18°C to +70°C (0°F to +158°F)

Power Consumption: 15 mA unloaded, 1.5A Maximum

Revision 10/3/2018



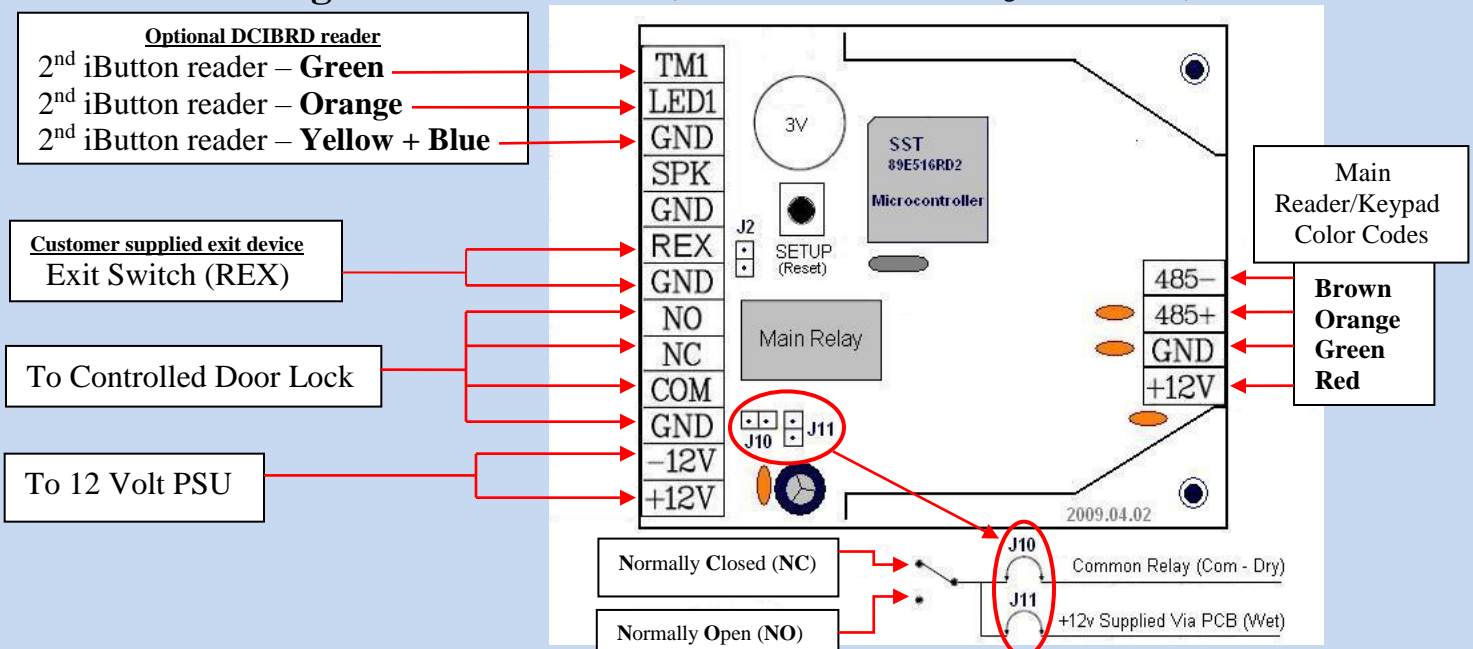
Enclosure: Steel enclosure (12"×12"×4") with supplied hinged lid, lock, and keys.

### Typical Components:

- Steel Enclosure
- Controller Board
- Power Supply w/integrated battery charger
- Backup Battery (12 volt, lead/gel type)
- Keypad with integrated lower iButton reader
- Installation fasteners and keypad installation tool
- Customer selected electric or magnetic locking device
- Optional exit switch (REX) and 2<sup>nd</sup> iButton only reader

### Controller Diagram:

(PCB = 84mm wide x 70mm high x 19mm thick)



PCB Jumper J2 = Same as REX on barrier strip

## INFORMATION AND WIRING INSTRUCTIONS

*There are many ways to connect the exit device to the controller. Here are some of the more common methods:*

- **Dry Relay Contact:**

Install the jumper J10 (refer to diagram for location, this is the shipping default)  
Connect to COM and NO for Normal Open contact.  
Connect to COM and NC for Normal Close contact.

- **Wet Relay Contact:**

Remove jumper from J10, install the jumper J11 (refer to diagram for location) Connect the Normal Close (NC) or Normal Open (NO) to the positive side of the exit device, Ground (GND) to negative side of the exit device.

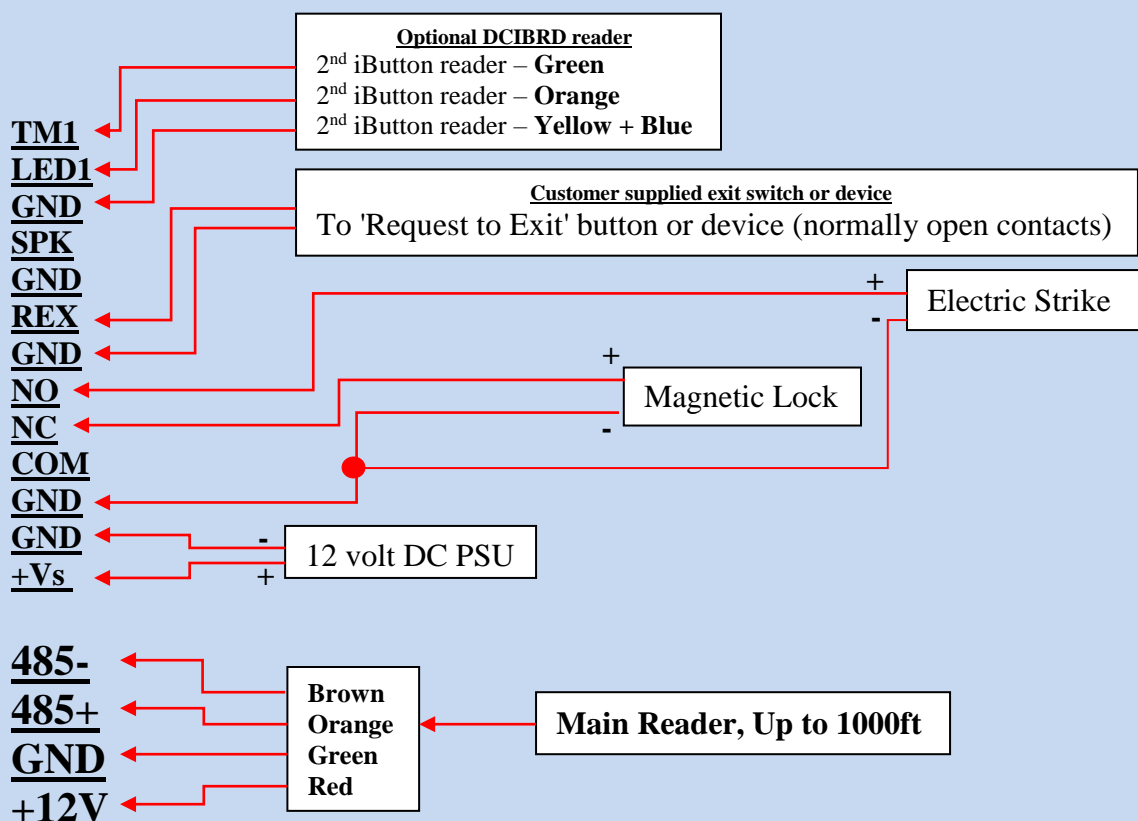
### **iButton/Keypad Reader:**

The main Keypad / Reader uses the RS-485 communications method, allowing up to 1000ft between the controller PCB and the main iButton / Keypad reader without any additional devices. The secondary iButton reader accessory, if equipped, is normally limited to 30 feet from the controller PCB. If a small value ceramic capacitor (.01 mfd 50WVDC) is connected across the TMI and GND lines *at the reader* itself, this distance can be extended to 300 feet or more, depending on the cable type and quality.

### **Reset / Setup button:**

The Reset / Setup button is used as part of new controller setup process when using personal computer Software. It will reset the EDC700 to manufacture default settings and delete current user keys and pass codes if pressed for 10 seconds. If pressed quickly and released, the EDC700 enters programming mode. Use that for new lock setup.

### **Typical Connections:** (Assumes system PCB jumper J11 installed, jumper J10 open)



## Ordering Information:

### Door Controller System

PART Number	DESCRIPTION	PART Number	DESCRIPTION
BTY12V5A	Door Controller Backup Battery (12V/5AH)	EDC700MB	Eternity Door Controller Main Board for EDC710
DCCASE	Door Access Controller System Case	EDC710RD	Eternity Door Controller TM-Keypad Reader
DCTLPS	Door Controller Power Supply 12V/3.5A	FTUK	Eternity First Time User Kit
DCIBRD	Optional Secondary iButton Reader	-----	For interior use only, w/o mounting)
DCIWPRO	Optional Secondary iButton Reader	-----	Weather resistant exterior use w/ mounting)

### Optional Magnetic Latch Accessories

PART Number	DESCRIPTION	Specifications
EBOLTLOCK	Electric Bolt Lock-SL-100A 	Door sensor (SL-100A:N.C/ SL-100B:N.C&N .0) Power Supply requirements: DC 12V. Current consumption: 900mA, Holding current: 330mA Fail- safe type (Power to lock). Operation delay time: 0 sec., 2.5sec., 5sec., 9sec. Built-in delayed egress control point. Weight: 860g
EMAGLOCK	Electromagnetic Lock-SL-200/220 	Power supply requirements: DC 12V or DC 24V (Optional). Current consumption: 500mA@12V or 250mA@24V Holding Force: 600LBS. Fail-safe type (Power to lock). SL-200 Built-in lock status LED's indication. (SL-200S No lock status LED's indication) SL-200T Built-in delayed egress control point.(SL-200D Double lock ) Weight:2000g
MLBRKT01	L&Z Bracket for magnetic lock 	Used with SL-200 magnetic lock. Suitable for in-swing door. Dimensions: small L bracket: 220x63.5x63.5(mm) Dimensions: F bracket: 220x61x89.5 (mm) Dimensions: Large L bracket:265x38x76 (mm) Weight:1200g
MLBRKT02	Armature plate housing 	Specifically for the use with the SL-200 armature. Suitable for 90° out-swing door. Sturdy construction for durability. Simple and easy installation, With screw position adjustable function. Dimensions: 193 x 45 x 12.7 (mm) Weight:153g (Dimensions: 195x72x19 (mm) Weight: 260g)
BLBRKT01	Surface Mount Bracket for Dead Bolt Lock 	Specifically for use with SL-100 Dead Bolt Lock. Suitable for all types of 90° or 180° door. Sturdy construction for durability. Simple installation without knocking any holes out. Can be integrated with UB-100 glass holder. Dimensions: 230 x 45 x 46 (mm). Weight: 590g. Optional of BR-100C Bracket available.
ESTRIKE	Electric Strike Lock 	Power supply requirements: DC 12V. Current consumption:360mA SL-320F:Fail-safe type (Power to lock). Suitable for wooden, aluminum and hollow metal doors. (To be used with existing auxiliary lock.)

# Warranty Registration Form

## Customer Information:

Date Purchased: \_\_\_\_\_ Purchase From (company name): \_\_\_\_\_

Model: \_\_\_\_\_ Serial Number: \_\_\_\_\_

First Name: \_\_\_\_\_ Last Name: \_\_\_\_\_

Daytime Phone: \_\_\_\_\_ E-mail: \_\_\_\_\_

Shipping Address: \_\_\_\_\_

City: \_\_\_\_\_ State: \_\_\_\_\_ Zip Code: \_\_\_\_\_

✂-----✂-----✂-----

Mail Registration Form to:

**Uaccess LLC**  
**Attn: Registration Dept**  
**1904 University Business Drive, Ste. 304**  
**McKinney, TX 75071**

## Warranty and RMA Guidelines

### **Receiving Your Order**

1. Upon receipt of your new merchandise, please inspect carefully as to the contents and condition. All claims for damaged or missing items **MUST** be reported to Uaccess LLC within five (5) business days upon receipt of merchandise. In the event your package arrives damaged, it is the responsibility of the customer to contact the carrier to inspect the package to assure full refund/replacement. All packaging **MUST** be retained until the problem has been resolved.
2. Carefully unpack and inspect all merchandise. Please **DO NOT** damage the manufacturer's packaging. **DO NOT** throw away any material included with the package until you are absolutely certain the product has not been damaged. We cannot accept merchandise for return incomplete or damaged, or missing packing material.
3. Retain your Invoice. Read all instruction manuals **BEFORE** testing your equipment.
4. Uaccess accepts neither responsibility nor liability for any consequential or incidental damages resulting from the installation or operation of any merchandise purchased from us.

### **Return/Exchange Policy**

#### **NO RETURNS WILL BE ACCEPTED WITHOUT R.M.A# (Return Merchandise Authorization Number)**

You can return or exchange, excluding any shipping and handling charge, within a period of thirty (30) days for lock merchandise and fourteen (14) days for accessories, if you are not satisfied with the products. If defective, items may be exchanged for the same model only. Special Order items are not returnable. We will not accept any returns or exchanges on Batteries, Memory Chips, User Keys or any other consumable products.

Uaccess LLC basically does not take or make ADVANCE SHIP or CROSS SHIP arrangements unless otherwise preapproved by authorization within 1 year of purchase.

Prior to returning any item, **YOU MUST** call Customer Service for pre-approval RMA number. All merchandise purchased from Uaccess LLC is sold in its original factory packaging with all contents as supplied by us. Items can be returned only if in original packaging, same new condition as sold with literature/instructions. Place the manufacturer's box into a shipping box. Please do not put any stickers or labels on the original manufacturer's packaging. Please ship the items back to us with freight prepaid. We are not responsible for lost or damaged packages returning to us.

Attach a copy of original invoice with freight pre-paid for Warranty / RMA service.

If any of the above conditions are not met, Uaccess LLC reserves the right to either refuse the return or to charge a restocking fee for not less than 15%.

### **Warranties**

Most items sold by us are covered by a manufacturer's one-year parts / labor warranty from the purchase date.

### **Technical Assistance Hotline: 972-820-6450**

As part of our continuing commitment to all our customers, Uaccess LLC 's sales and technical support associates can guide you in determining what products best solve your situations. With their combined experience, we're confident that our support staff have the background and talent to help you narrow your choices to the precise items that best suit your particular requirement.

**WARRANTY DOES NOT INCLUDE TRAVEL CHARGES, OR ANY OTHER COSTS INCURRED FOR FIELD ACTIONS SUCH AS REPAIR, REMOVAL, INSTALLATION, SERVICING, DIAGNOSING OR HANDLING OF EITHER DEFECTIVE PARTS OR REPLACEMENT PARTS. THE MANUFACTURER'S WARRANTY APPLIES ONLY TO LOCKS RETURNED TO US FOR REPAIR.**

Notes: