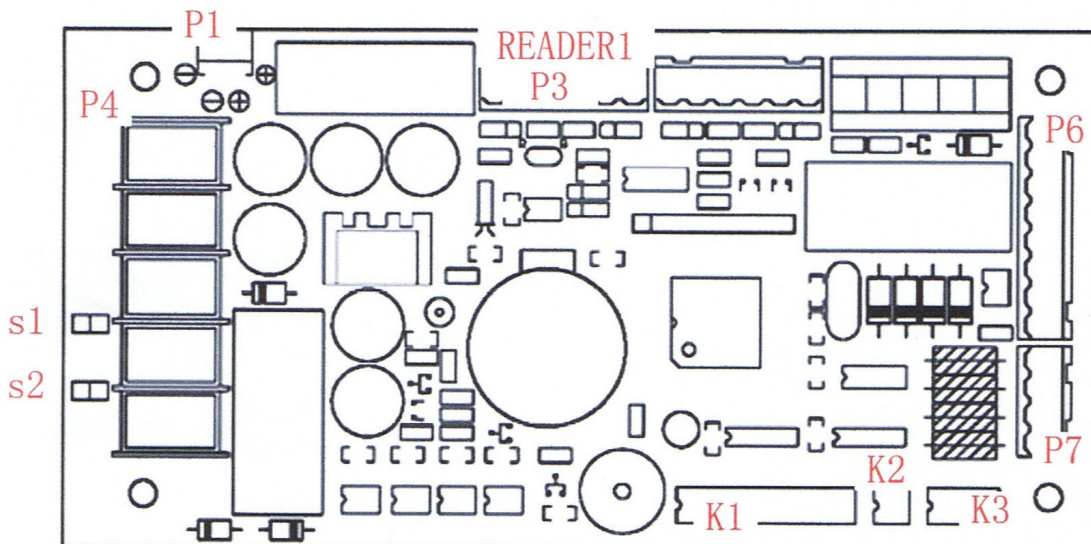
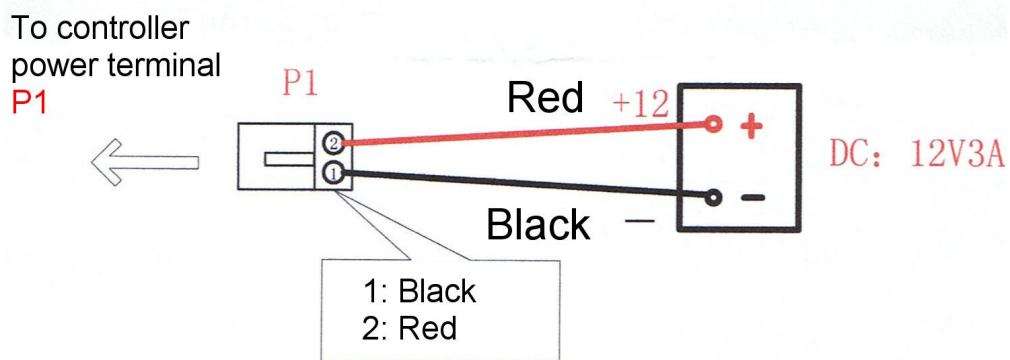


Hotel Door Controller Installation Guide

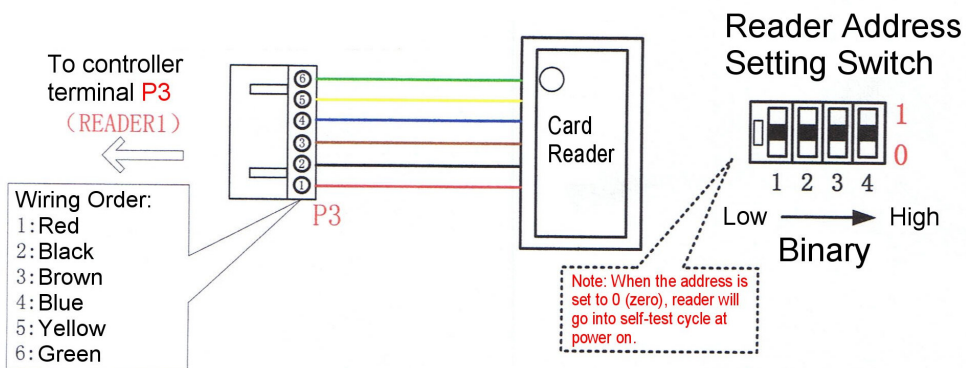
1. Controller PCB Layout



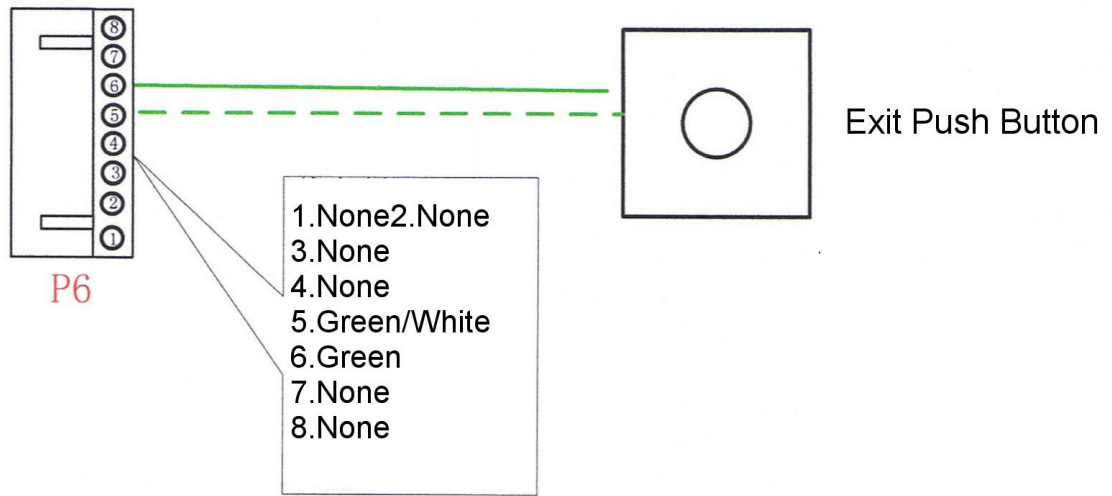
2. Power and Controller P1 Wiring



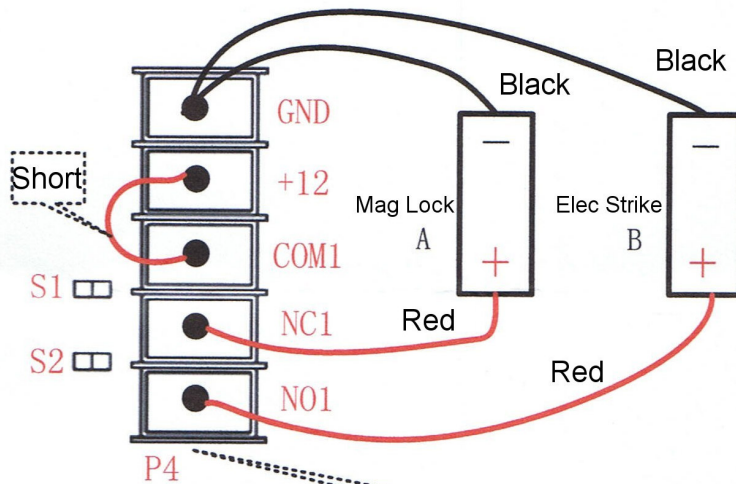
3. Card Reader and Controller Wiring



4. Exit Push Button and Controller P6 Wiring

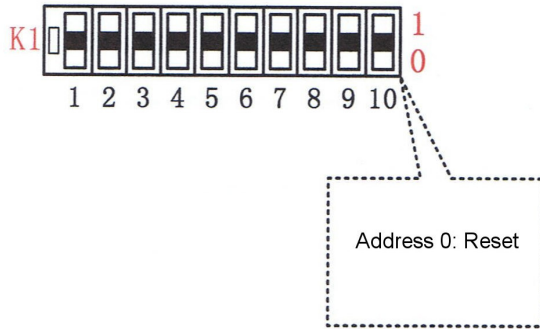


5. Lock and Controller P4 Wiring

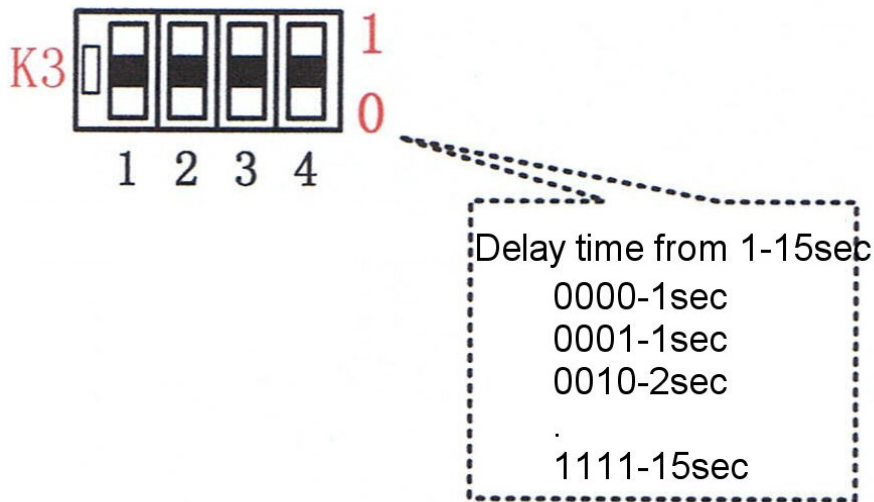


COM1,NC1: Normally Close. COM1,NO1: Normally Open
 If lock uses the same power (12V), connect the lock by using NC1 or NO1 and Ground, short S1, and S2.
 If lock uses other power, do not connect COM1 to 12V, wire NC1 or NO2 and COM1 out to the reader,
 Do Not Short S1, S2.

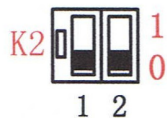
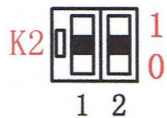
6. Controller Address Switch K1



7. Controller Lock Delay Setting K3



8. Normally Open Control Switch K2



Note: Use this setting to exit the normally open mode by press and hold the exit push button for 4 Sec.

Note: Use this setting to exit the normally open mode by any valid card.