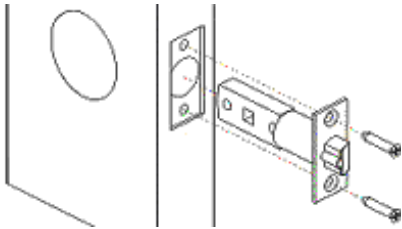


Eternity-V-Installation

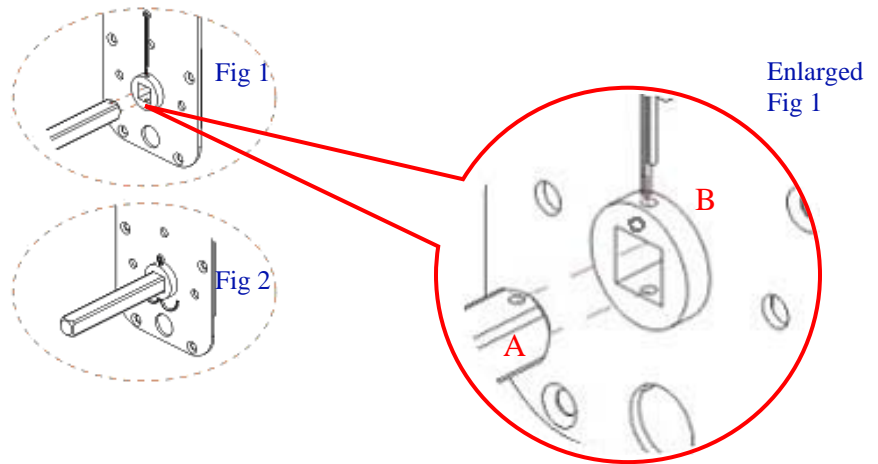
Step 1

Insert the latch into door hole. Secure the latch with two screws.



Step 2

Insert the square shaft (A) into the center hub (B) (Fig 1). Insert the position pin into the hole on the center hub to secure the square shaft. Bend the end of position pin around the center hub to secure the pin in place. (Fig 2)



Step 3

Screw in and tighten the two fastener extensions (C) into the front lock fastener posts located on both side of the center hub. Attach and tighten the upper fastener extension (D) if needed (Fig 3). Note: The upper fastener extension (D) is optional.

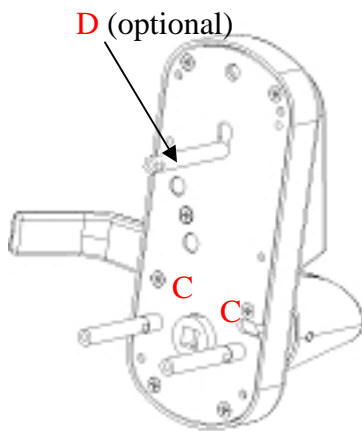


Fig 3

Step 4

Place the front lock housing onto the door, with the rubber gasket (E) between the door and lock housing. Feed the power plug (F) through the hole (Fig 4).

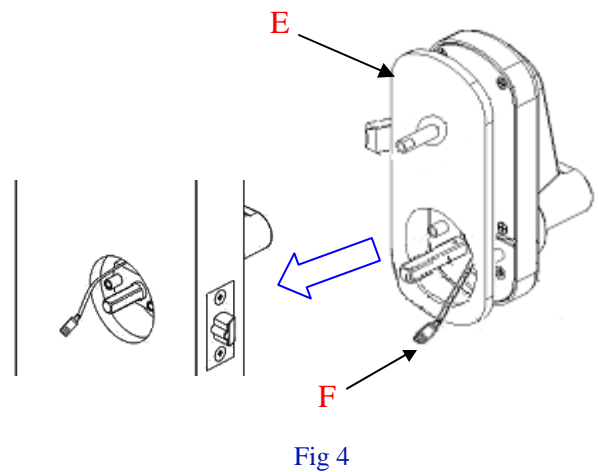


Fig 4

Step 5

Attach the battery plate onto the door, with the rubber gasket between the door and battery plate. Make sure the power plug go through the hole on the plate. Secure the battery plate to front lock fastener post with 2 screws. Fasten upper fastener post (Optional) (Fig 5)



Fig 5

Step 6

Install batteries, and plug in the power cable. Secure the back lock housing onto the battery plate. Fasten with 2 screws. Press both catch pin in and snap the rear handle into drive shaft (Fig 6)

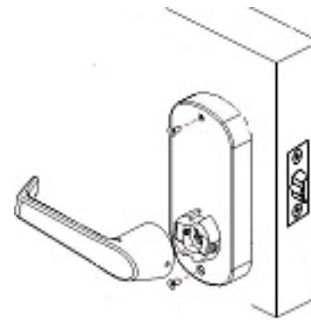


Fig 6

Step 7

Place the override cylinder into front handle housing, insert override key through the hole into cylinder. Turn the override key 90° clockwise. Press both catch pin in and snap the front handle into drive shaft. Turn override key 90° counter clockwise and pull the key out. (Fig 7)

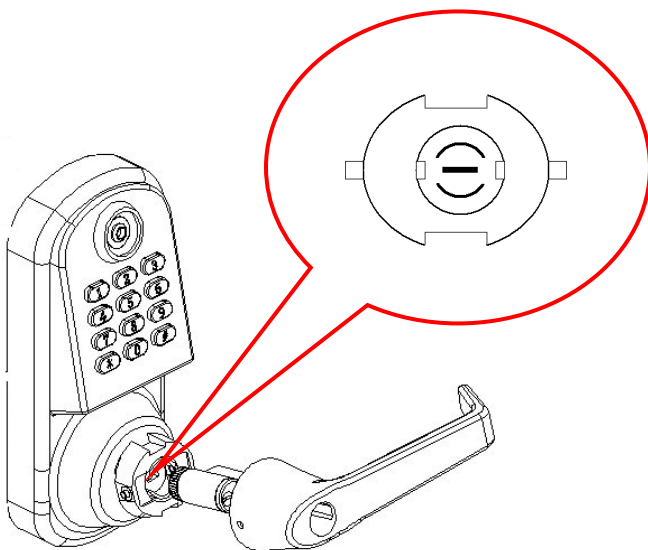


Fig 7

Step 8

Put strike box in doorframe, and then strike plate over it. (Fig 8)

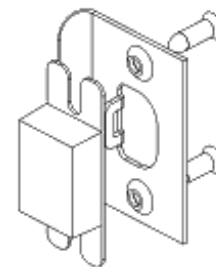
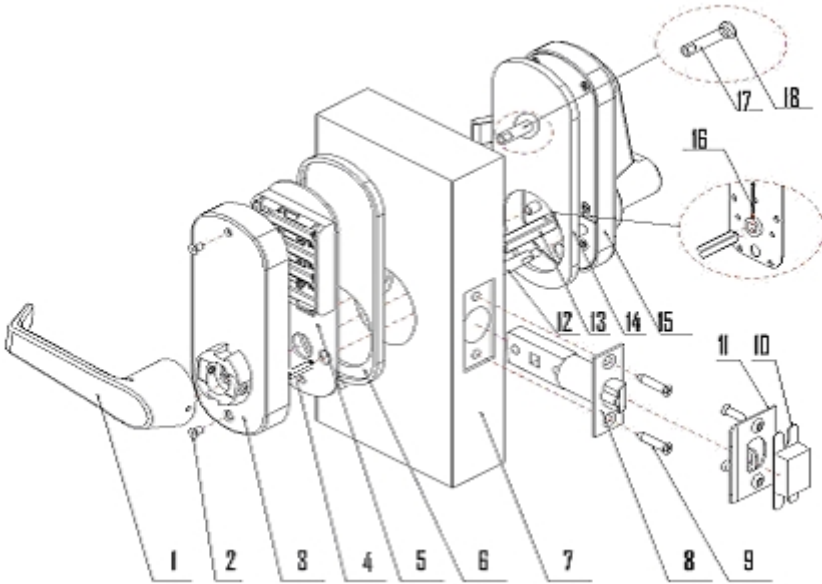


Fig 8

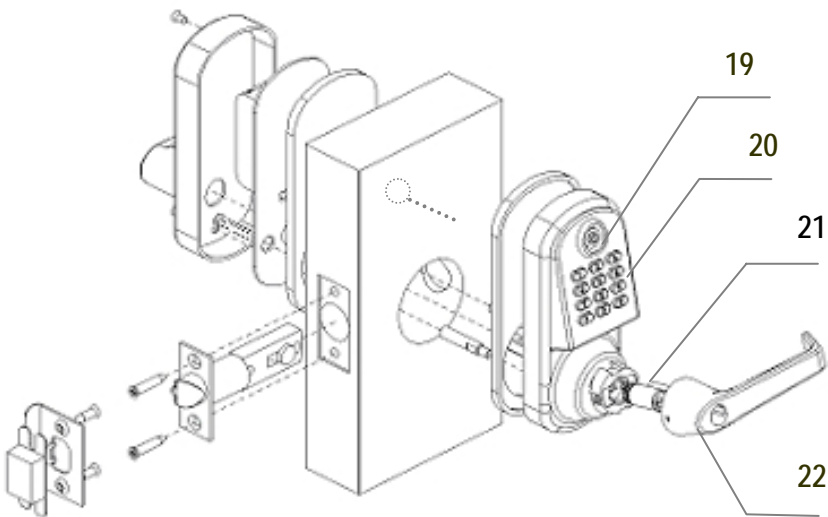
Back View
Installation






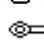









Major Lock Parts

1. Rear Handle
2. Rear Lock housing Screws
3. Rear Housing
4. Battery Plate Screw
5. Battery Plate
6. Rear Rubber Gasket
7. Door
8. Latch
9. Latch Screws
10. Dust Boot
11. Strike Plate
12. Front Lock Fastener Post
13. Square Shaft
14. Front Rubber Gasket
15. Front Lock Housing
16. Position Pin
17. Upper Fastener Post (optional)
18. Attachment Screw (optional)
19. iButton Reader
20. Keypad
21. Override Key Cylinder
22. Front Handle

Front View
Installation



Accessory Parts List

1.  Battery Plate Screw (3)
2.  Back Cover Screw (2)
3.  Screws (4)
4.  Square Shaft (1)
5.  Position Pin (1)
6.  Fastener Extension (2)
7.  Upper Fastener Extension
8.  Latch (1)
9.  Strike Plate (1)
10.  Dust Boot (1)
11.  Override Key (2)
12.  SC4 Cylinder (1)
13.  iButton key (Optional)