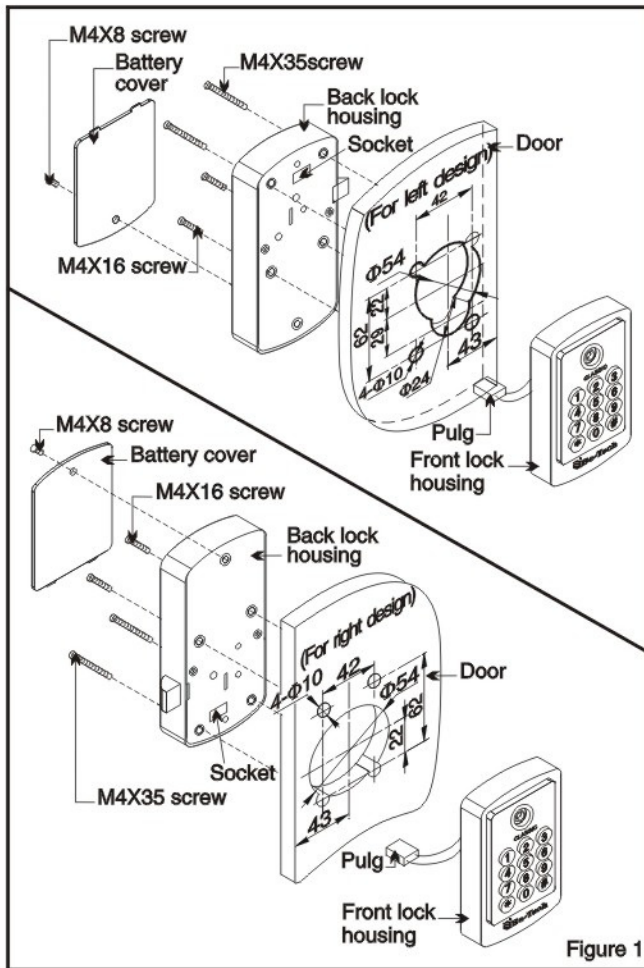


ELL404 / TM-91 Cabinet Lock Installation Instructions



Installation Procedure:

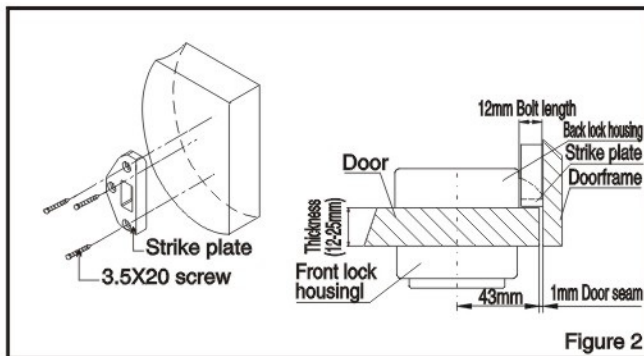
Shown as Figure 1

1. The cabinet lock can be left or right design. The lower drawing is for right design. Drill holes as size in the drawing.

For left design:

Thread the plug through door hole to insert to the socket of back lock housing, and fasten the back lock housing and front lock housing with 2 pcs of M4X16 and 2 pcs of M4X35 screws, then put into batteries and cover them, and then fasten with M4X8 screw.

Figure 1



Fasten the strike plate on the doorframe with 3 pieces 3.5X20 screws.

Figure 2